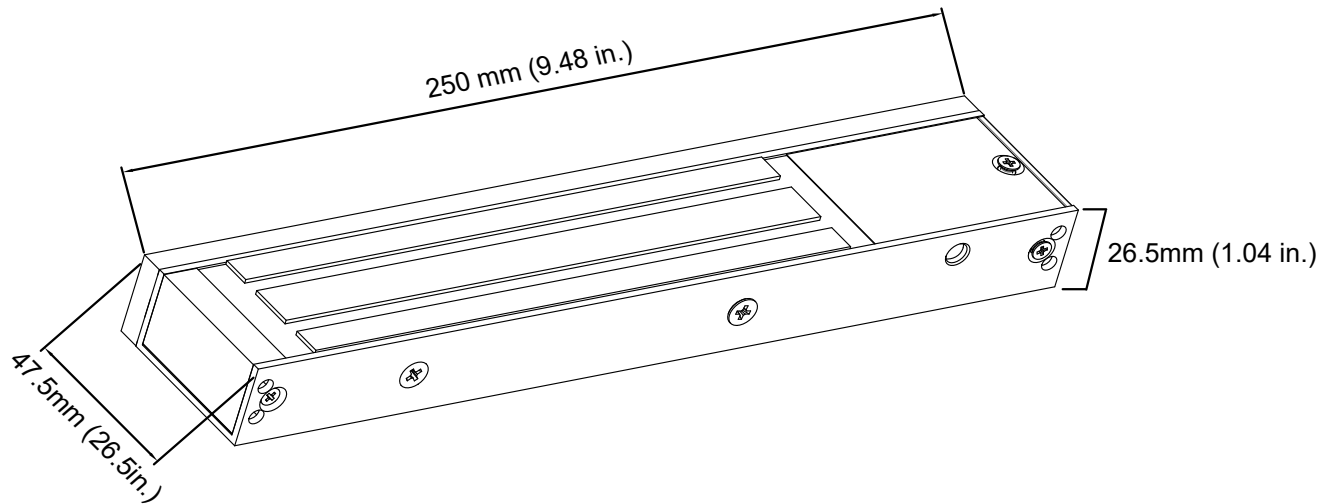


Model No.	FPC-ML600LED
Voltage Input	DC12V+10% or DC24V+10%
Current Draw	12V/450mA or 24V/220mA
Holding Force	Up to 600lbs (280kg)
Surface Temperature	≤ +20°C (Based on ambient temperature)
Operating Temperature	-10 ~ +55°C (14°F~131°F)
Operating Humidity	0~90% (non-condensing)
Weight	1.8Kg
LED Status	Red (Open), Green (Close)
Lock Dimensions	250(L)x47.5(W)x26.5(H) mm - 9.84(L)x1.87(W)x1.04(H) in
Armature Plate Dimensions	180(L)x38(W)x13(H) mm - 7.09(L)x1.50(W)x0.51(H) in



Disclaimer: FPC Security reserve the right to go ahead with any modifications of models or features or price without forewarning. All the information and specifications stated in this document are current at the time of publication. Attention: We are not responsible for the improper installation of this kit. If you are not handy with electrical equipment you should contact a professional electrician. You will also need to check with your local Fire authority to see if you need anything else to comply with local Fire Codes. We are not responsible for any damage or fees that can occur.



sales@fpc-security.com



www.fpc-security.com