

ENFORCER[®]

SD-962AR-36A

Rim-Type Exit Device

Manual



Panic Hardware
51X4



Features:

- For exit doors - Allows exit from inside while locked from outside
- Reversible non-handed design fits either right-hand or left-hand doors
- For metal or wood doors up to 1³/₄" thick
- Stainless steel ³/₄" throw latch bolt
- Deadlocking latch – Prevents the use of credit cards or similar means to open the latch bolt
- Fits doors from 30" to 48" wide
- Allen-type ¹/₄-turn dogging lock - Allows the exit device to be unlocked for extended periods of time
- Includes all hardware for typical installations
- Works with standard external door handle/lock devices (not included)
- Heavy-duty steel construction
- Stainless steel spring

ENFORCER Rim-Type Exit Device

Introduction:

The ENFORCER **SD-962AR-36A** Rim-Type Exit Device, when mounted on the inside of a door to block entry to a protected premises, securely locks the door from outside access while allowing users inside the protected premises to exit.

The stainless steel enclosure protects the exit device from abuse, yet easily unlocks the door from the inside by users who require exit. It can be connected to an entry-type lever trim or to any physical locking device on the outside of the door in order to allow entry to authorized personnel.

Specifications:

Construction	Steel
For doors	1 ³ / ₄ " (44.5mm) thick, wood or metal
Hand	Non-handed
Latch bolt	Stainless steel, 3/4" (19mm) throw
Dead latch	Stainless steel, 5/8" (16mm) throw
Strike	For 5/8" (16mm) stop, plus shim for 1/2" (12.7mm) stop
Spring	Stainless steel
Chassis	Steel
Cover	High-density rust-resistant alloy
Rail assembly	Steel
End cap	Steel
Dogging	Allen-type dogging standard
Dimensions	32 ³ / ₄ "x6 ⁷ / ₃₂ "x2 ¹ / ₂ " (832x158x64 mm)
Weight	6-lb 10-oz (3.0kg)

Parts List:

- 1x Rim-Type Exit Device
- 1x Manual
- 1x Mounting template
- 1x Strike
- 1x Strike shim
- 1x Hex wrench
- 1x End cap
- 1x End cap bracket
- 7x Mounting screws (see below)

Screws Included:

Mounting chassis to door:

2x 1/4"x3/4" machine screws (oval Philips head, plated steel)

Connecting end cap to end cap bracket:

1x M4x6mm machine screw (flat Philips head, stainless steel)

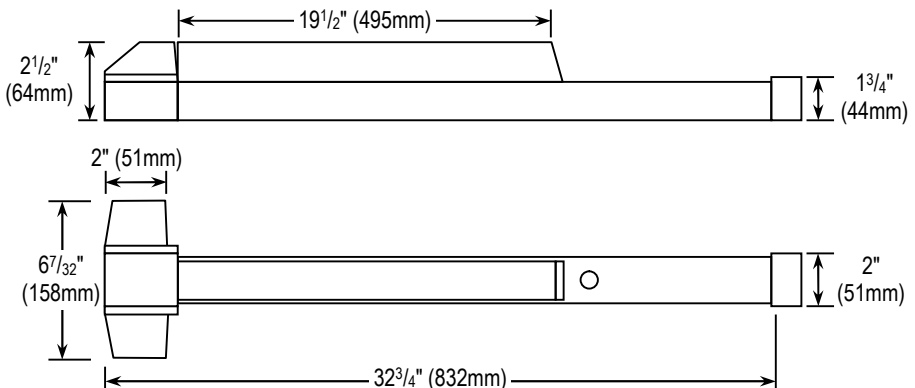
Mounting end cap bracket to door:

2x 1/4"x3/4" machine screws (oval Philips head, plated steel)

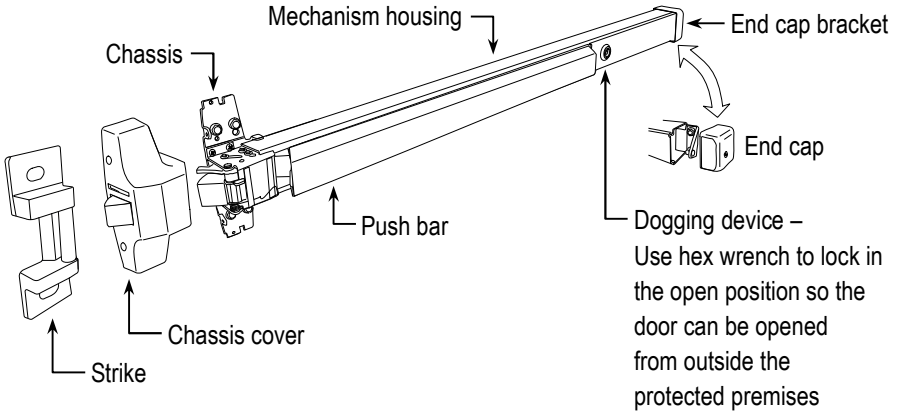
Mounting strike to door:

2x 1/4"x3/4" machine screws (oval Philips head, stainless steel)

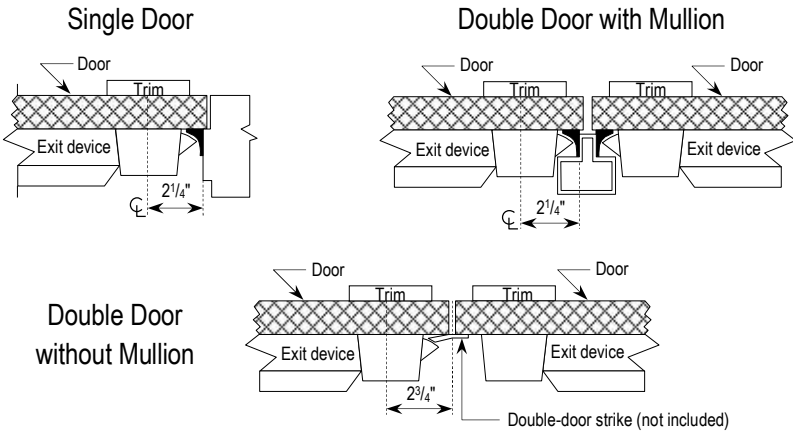
Dimensions:



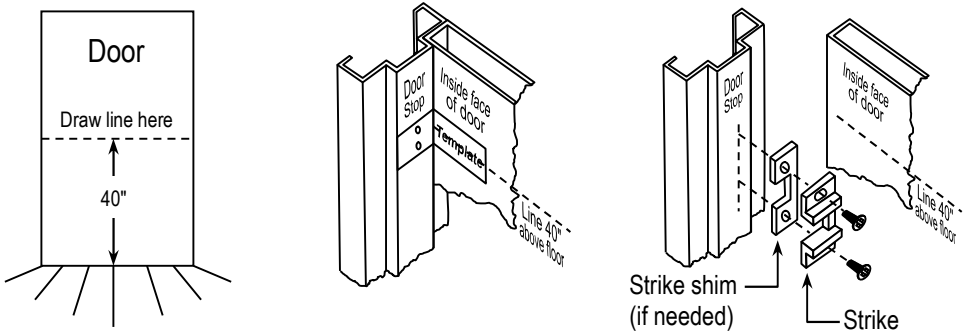
Overview:



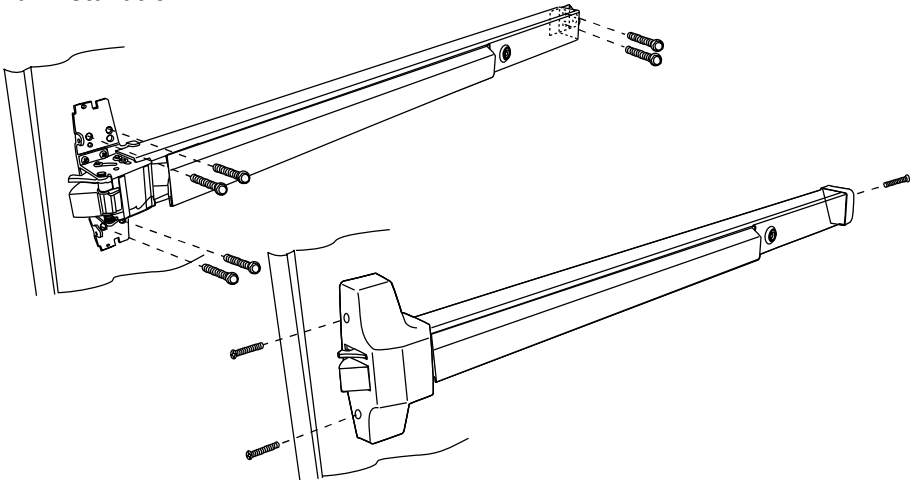
Sample Applications:



Mounting:



Final Installation:



1. Mark the vertical center line of the exit bar by drawing a line across the door at 40" above the floor. See "Mounting" on page 3.
2. Fold the included template, and align the center lines on the template with the center line drawn on the door. Then mark the position of the mounting holes for the latch assembly. See "Mounting" on page 3.
3. Move the template against the door stop and then mark the mounting holes for the strike.
4. Drill the holes as marked on the door and the mullion. See "Mounting" on page 3.

Note: For doors with a door stop depth of under $\frac{5}{8}$ ", it may be necessary to use the included $\frac{1}{8}$ " strike shim. For doors with a door stop depth of $\frac{5}{8}$ " or more, the strike shim may not be necessary.

WARNING: Incorrect mounting that leads to exposure or moisture inside the enclosure could damage the device and will void the warranty.

WARRANTY: This SECO-LARM product is warranted against defects in material and workmanship while used in normal service for one (1) year from the date of sale to the original customer. SECO-LARM's obligation is limited to the repair or replacement of any defective part if the unit is returned, transportation prepaid, to SECO-LARM. This Warranty is void if damage is caused by or attributed to acts of God, physical or electrical misuse or abuse, neglect, repair or alteration, improper or abnormal usage, or faulty installation, or if for any other reason SECO-LARM determines that such equipment is not operating properly as a result of causes other than defects in material and workmanship. The sole obligation of SECO-LARM and the purchaser's exclusive remedy, shall be limited to the replacement or repair only, at SECO-LARM's option. In no event shall SECO-LARM be liable for any special, collateral, incidental, or consequential personal or property damage of any kind to the purchaser or anyone else.

NOTICE: The SECO-LARM policy is one of continual development and improvement. For that reason, SECO-LARM reserves the right to change specifications without notice. SECO-LARM is also not responsible for misprints. All trademarks are the property of SECO-LARM U.S.A., Inc. or their respective owners. Copyright © 2020 SECO-LARM U.S.A., Inc. All rights reserved.

SECO-LARM® U.S.A., Inc.

16842 Millikan Avenue, Irvine, CA 92606

Phone: (949) 261-2999 | (800) 662-0800

Website: www.seco-larm.com

Email: sales@seco-larm.com

 PITSW6

MI_SD-962AR-36A_200512.docx.