


VISIONIS®

Indoor + Outdoor Rated IP66 Metal Access Control Standalone + Wiegand 26 Card Reader + 2000 EM Cards + Flush Mount Design



User Manual
VIS-3028
www.visionistech.com

105.00 mm

75.00 mm

INTRODUCTION

The VISIONIS VIS-3028 is a compact, waterproof stand-alone programmable access control Wiegand 26 card reader that provides proximity entry for up to 2000 users. It uses an Atmel microcontroller that assures maximum performance in any environment, and the low-power circuit makes its service life prolonged. The product has a simple design, easy operation, and high reliability.

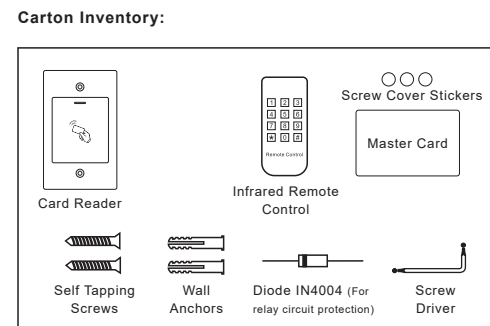
- Main Features**
- Metal case, embedded design
 - Waterproof, conform to IP66
 - Read 125kHz EM card or tag
 - One programmable relay operation
 - Pulse mode, toggle mode
 - Card block enrollment
 - Built in light dependent resistor (LDR) for anti tamper
 - Buzzer for audible or silent mode
 - Wiegand 26 bits output
 - Wiegand 26/34 bits input automatic identification

Specifications

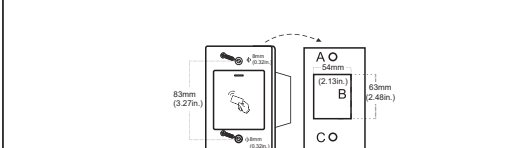
User Capacity	2000
Operating Voltage	12-24V DC
Idle Current	<50mA
Proximity Card Reader	EM
Radio Technology	125KHz Proximity Card
Read Range	0~6 cm (0~2.36 in.)
Wiring Connections	Relay output, exit button, Wiegand (in&out)
Relay	One (NO, NC, Common)
Adjustable Relay Output	0~99 Seconds (5 seconds default)
Time Lock Output Load	2 Amp Maximum
Environment	Meets IP66
Operating Temperature	-40°C ~ 60°C (-40°F ~ 140°F)
Operating Humidity	0%RH ~ 98%RH

Physical Dimensions

Color	Stainless Steel Plate
Dimensions	Silver & Black
Unit Weight	L 115 x W 70 x H 25 (mm)
Shipping Weight	L 4.53 x W 2.76 x H 0.98 (in.)
	230g
	270g

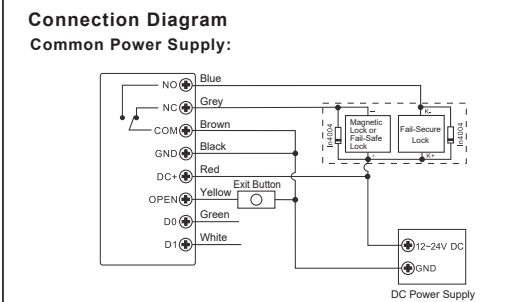


- INSTALLATION**
- Drill 2 holes (A,C) on the wall for the screws and one hole for the device
 - Knock the supplied rubber bungs to the screw holes (A,C)
 - Thread the cable through the hole (B)
 - Attach the unit to the hole (B)
 - Fix the unit firmly on the wall with 2 flat head screws
 - Cover the screws by Screws Cover Stickers

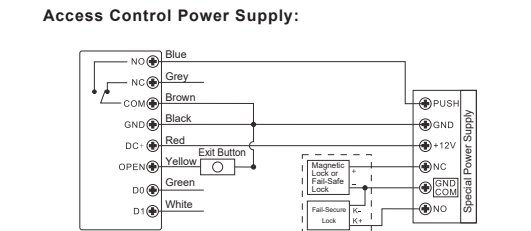


Wiring

Color	Function	Notes
Red	Power+	12-24V DC Regulated Power Input
Black	GND	Ground
Blue	NO	Normally Open Relay Output
Brown	COM	Common Connection for Relay Output
Grey	NC	Normally Closed Relay Output
Yellow	OPEN	Request to Exit Input (Rex)
Green	D0	Wiegand Input/Output Data 0
White	D1	Wiegand Input/Output Data 1



Attention: Install a 1N4004 or equivalent diode is needed when use a common power supply, or the reader might be damaged. (1N4004 is included in the packing)



STANDALONE MODE

- Programming will vary depending on access configuration. Follow the instructions according to your access configuration.
- General Programming Information**
- **Remote Control:** Please use the Infrared Remote Control to program the Reader. The infrared receiver head us near LED, so when program the reader, please direct the Remote Control to the LED.
 - **User ID Number:** Assign a user ID to the access card in order to track it. The user ID number can be any number from 1~2000. IMPORTANT: User IDs do not have to be proceeded with any leading zeros. Recording of User ID is critical. Modifications to the user require the User ID be available.
 - **Proximity Card:** Any 125kHz industry standard 26 bit EM Proximity card or tag.

Simplified Instruction

Function Description	Operation
Enter the Programming Mode	* (Master Code) # (123456 is the factory default master code)
Change the Master Code	0 (New Master Code) # (Repeat New Master Code) # (code: 6 digits)
Add Card User	1 (Read Card) (can add cards continuously)
Delete Card User	2 (Read Card) (can delete cards continuously)
Exit from Programming Mode	*
How to be granted access	
Card User	Read card

Enter and Exit Program Mode

Programming Step	Keystroke Combination
Enter Program Mode	* (Master Code) # Factory default is 123456
Exit Program Mode	*

Set Master Code

Programming Step	Keystroke Combination
1. Enter Program Mode	* (Master Code) #
2. Update Master Code	0 (New Master Code) # (Repeat New Master Code) #
3. Exit Program Mode	*

Add User Cards

Programming Step	Keystroke Combination
1. Enter Program Mode	* (Master Code) #
2. Add Card: Using Auto ID (Allows the device to assign Card to next available User ID number)	1 (Read Card) Repeat Step 2 for additional user cards
OR	
2. Add Card: Select Specific ID (Allows manager to define a specific User ID to associate the card to)	1 (User ID) # (Read Card) The user ID is any number form 1-2000
OR	
2. Add Card: By Card Number	1 (Input 8/10 Digits Card Number) #
OR	
2. Add Card: Block Learn (Allows manager to add up to 2000 cards to the Reader in a single step). Takes 3 minutes to program.	1 (User ID Number) # (Card Quantity) # (The First Card Number) # Cards' number must be consecutive; Card quantity = number of card to be enrolled.
3. Exit	*

Delete User Cards

Programming Step	Keystroke Combination
1. Enter Program Mode	* (Master Code) #
2. Delete Card: By read card	2 (Read Card) Repeat Step 2 for additional user cards
OR	
2. Delete Card: By user ID	2 (User ID) # The User ID is any number from 1-2000.
OR	
2. Delete Card: By card number	2 (Input 8/10 Digits Card Numbers) #

Set Relay Configuration

The relay configuration sets the behaviour of the output relay on activation.

Programming Step	Keystroke Combination
1. Enter Program Mode	* (Master Code) #
2. Pulse Mode	3 (1-99) # The relay time is 1-99 seconds. Default is 5 seconds.
OR	
2. Latch Mode	3 0 # Sets the relay to ON/OFF Latch mode
3. Exit	*

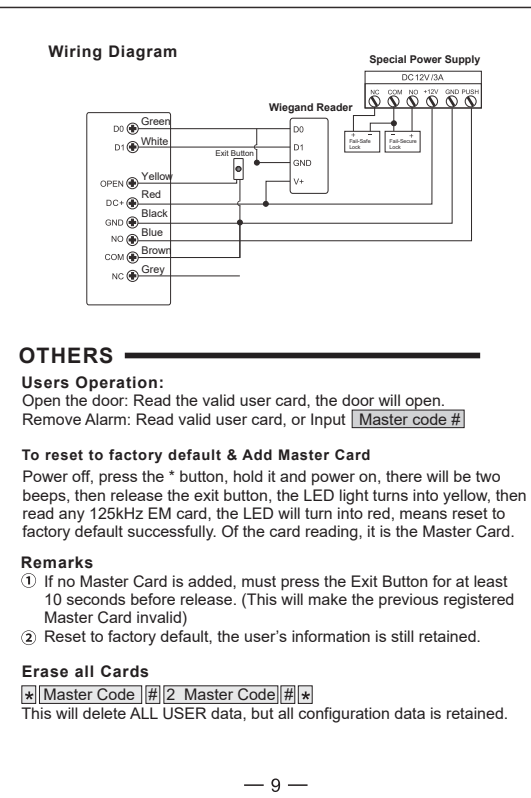
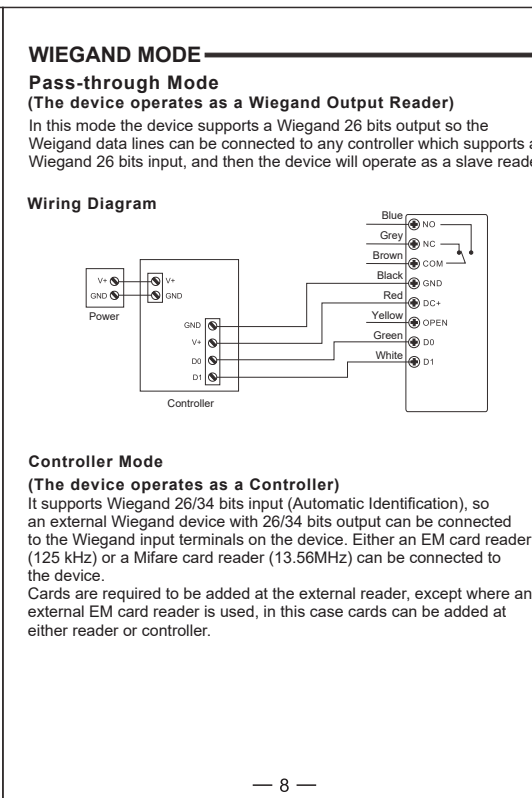
Set Strike-out Alarm

The strike-out alarm will engage after 10 failed card attempts. Factory is OFF. The strike-out alarm can be set to deny access for 10 minutes after engaging or it can be set to disengage only after entering a valid card or Master code.

Programming Step	Keystroke Combination
1. Enter Program Mode	* (Master Code) #
2. Strike-Out OFF	4 0 # (factory default)
OR	
2. Strike-Out ON	4 1 # Access will be denied for 10 minutes
OR	
2. Strike-Out ON (Alarm)	4 2 #
Set alarm time	5 (0 ~ 3) # Factory Default is 1 minute Enter Master code # or valid user card to silence
3. Exit	*

Set Audible and Visual Response

Programming Step	Keystroke Combination
1. Enter Program Mode	* (Master Code) #
2. Control LED	OFF = 6 1 # ON = 6 2 #
OR	
2. Control Sounds	OFF = 6 3 # ON = 6 4 # (Factory defaults are ON)
3. Exit	*



Master Cards Using

Using Master Cards to add and delete card users		
Add a User Card	1. (Read Master Card) 2. (Read User Card) Repeat Step 2 for additional user cards 3. (Read Master Card)	
Delete a User Card	1. (Read Master Card Twice within 5s) 2. (Read User Card) Repeat Step 2 for additional user cards 3. (Read Master Card)	

Sound and Light Indication

Operation Status	LED	Buzzer
Stand by	Red light bright	—
Enter into programming mode	Red light shines	One beep
In the programming mode	Yellow light bright	One beep
Operation error	—	Three beeps
Exit from programming mode	Red light bright	One beep
Open Lock	Green light bright	One beep
Alarm	Red light shines quickly	Beeps