

## 600LBS MAGNETIC LOCK INSTRUCTION



### A. 12VDC Input:

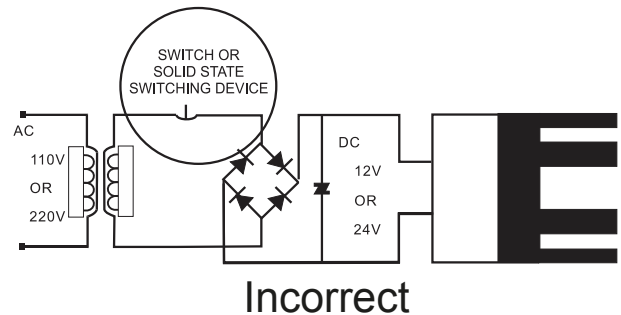
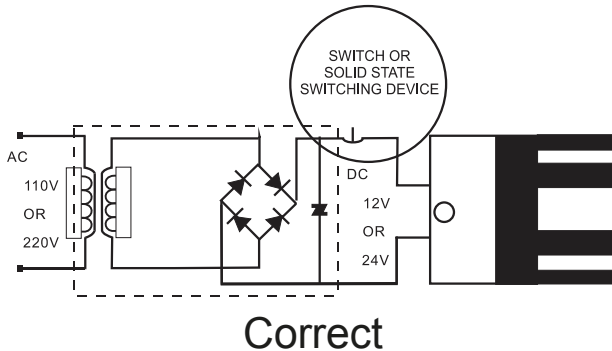
- Required power 0.5 Amp (Minimum).
- Connect the positive (+) lead from a 12VDC power source to V +.
- Connect the ground (-) lead from a 12VDC power source to V -.
- Check jumper for 12VDC operation.

### B. 24VDC Input:

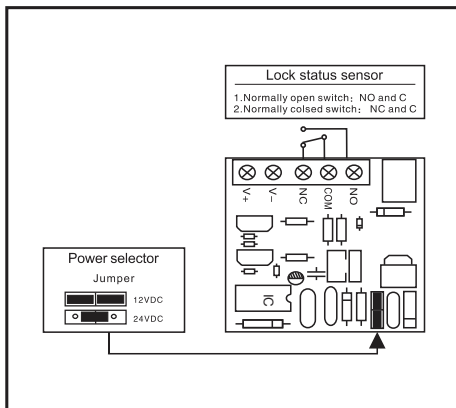
- Required power 0.25 Amp (Minimum).
- Connect the positive (+) lead from a 24VDC power source to V+.
- Connect the ground (-) lead from a 24VDC power source to V-.
- Check jumper for 24VDC operation.

### Important!

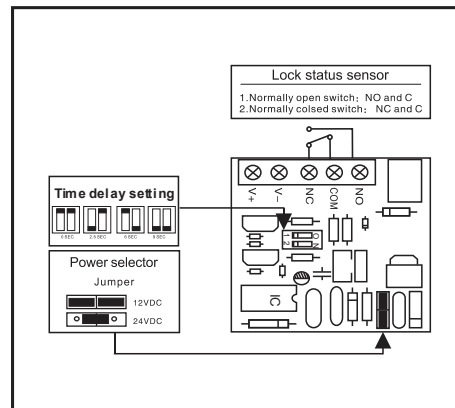
**If power switch is not wired between DC source voltage and magnet, it will take a longer time to de-energize the magnet simulating residual magnetism. (see below)**



## PRINTED CIRCUIT BOARD SCHEMATIC



600lbs Magnetic-lock



600lbs Magnetic-Lock Time delay



**Disclaimer:** VISIONIS reserve the right to go ahead with any modifications of models or features or price without forewarning. All the information and specifications stated in this document are current at the time of publication. Attention: We are not responsible for the improper installation of this kit. If you are not handy with electrical equipment you should contact a professional electrician. You will also need to check with your local Fire authority to see if you need anything else to comply with local Fire Codes. We are not responsible for any damage or fees that can occur.



sales@visionistech.com



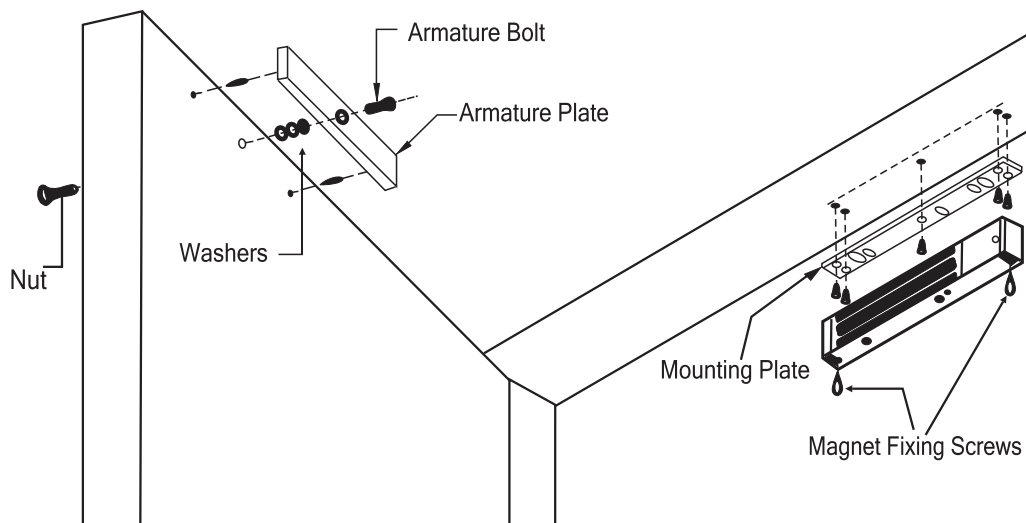
www.visionistech.com

## Important: Please Read Before Attempting To Install Magnetic Lock

- A. Handle the equipment with care, damaging the mounting surfaces of the magnet or armature plate may reduce locking efficiency.
- B. The magnet mounts rigidly to the door frame, the armature plate mounts to the door with hardware. Hardware is provided that allows it to pivot center to compensate for door wear and misalignment.
- C. Template use must take place with door in its normally closed position.
- D. Before installing, please add thread locker to all screws . Firmly tighten screws.

## Typical Installation:

**Important:** Don't fix the armature plate too tight. Make sure the rubber washer has flexibility so it can make the armature plate automatically adjust to its proper position with the magnet.



## MOUNTING INSTRUCTION

### STEP 1

- Fold template along dotted line.
- Place template against door and head frame.
- Drill holes as indicated on template.

### STEP 2

- Mount the armature plate to door using 1 rubber washer sandwiched between 2 steel washer (the rubber washer and 2 steel washer are installed on the through nut between the armature plate and door).

### STEP 3

- Install the mounting plate.
- Adjust the mounting plate so that it and the armature plate form a right angle.
- Using the mounting plate as a template, drill the wire hole.
- Drill and install the remaining mounting screws.

### STEP 4

- Install magnet to mounting plate with 2 M4 (M6) screws supplied.

### STEP 5

- Install electrical wiring per instruction sheet.

### STEP 6

- Test all functions of this model (see wiring instruction).

