



CE RoHS

The VISIONIS Request-to-Exit Buttons and Switches offer a variety of options to suit a wide range of applications.

The VISIONIS line is designed to provide a reliable solution for egress in access-controlled environments across residential, commercial, and industrial settings.

VISIONIS Request-to-Exit Buttons can be connected to the request-to-exit input of any access control device or directly to an electromagnetic lock or electric strike device.

Features

- Stainless-steel face-plate.
- "PUSH TO EXIT" & "PRESIONE PARA SALIR" inserts included.
- Fits into standard single-gang box.
- Large squared green color push button.

Model No.	VIS-7000
Output Contact	NC, COM, NO
Power	12 VDC / 24 VDC
LED Indicator	Green LED (Standby)
Mechanical Life	500,000 tests
Panel Hole Diameter	25mm
Panel	Stainless steel 0.9mm thickness
Switch Material	Plastic
Operating Temperature	-20°C~+55°C (-4°F-131°F)
Operating Humidity	0-95% (relative humidity)
Dimension Of Plate	115L × 70W × 70H mm - 4.52L x 2.75W x 2.75H in.
Weight	0.118kg



Disclaimer: VISIONIS reserve the right to go ahead with any modifications of models or features or price without forewarning. All the information and specifications stated in this document are current at the time of publication. Attention: We are not responsible for the improper installation of this kit. If you are not handy with electrical equipment you should contact a professional electrician. You will also need to check with your local Fire authority to see if you need anything else to comply with local Fire Codes. We are not responsible for any damage or fees that can occur.

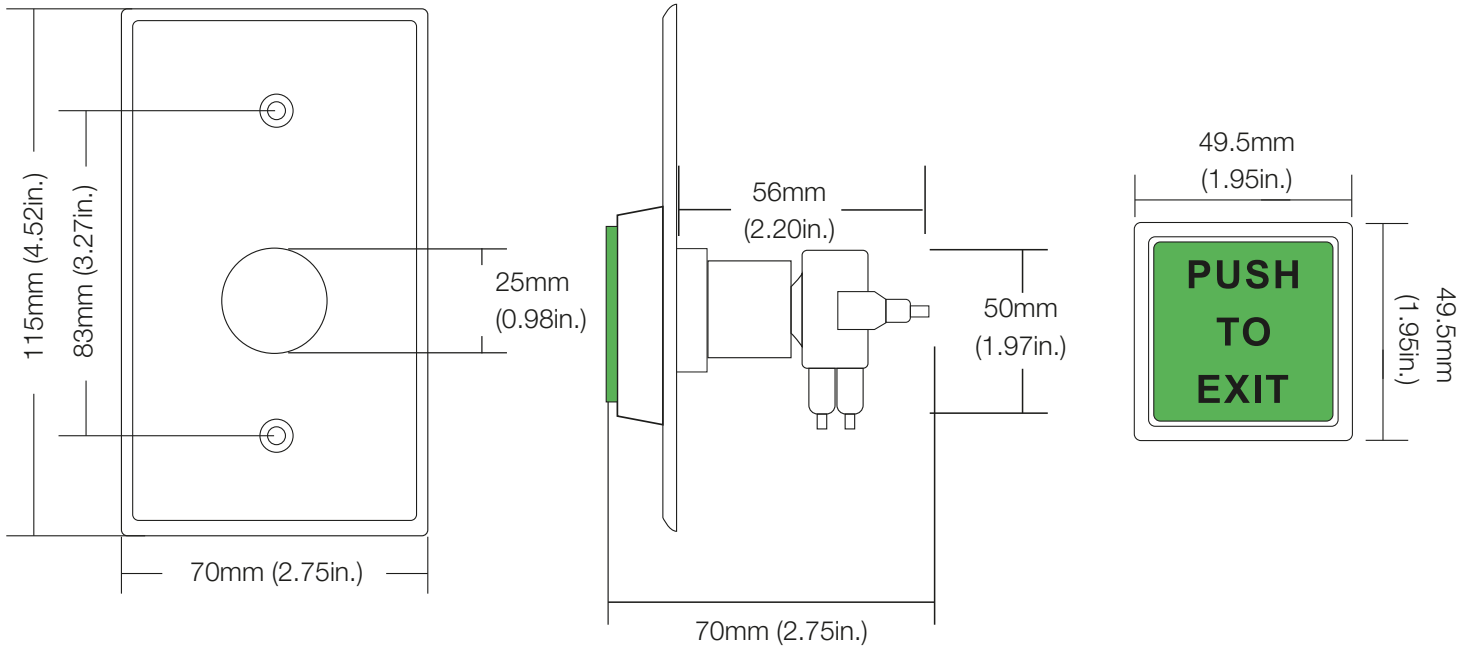


support@visionistech.com



www.visionistech.com

Product Dimensions



Disclaimer: VISIONIS reserve the right to go ahead with any modifications of models or features or price without forewarning. All the information and specifications stated in this document are current at the time of publication. Attention: We are not responsible for the improper installation of this kit. If you are not handy with electrical equipment you should contact a professional electrician. You will also need to check with your local Fire authority to see if you need anything else to comply with local Fire Codes. We are not responsible for any damage or fees that can occur.



support@visionistech.com



www.visionistech.com