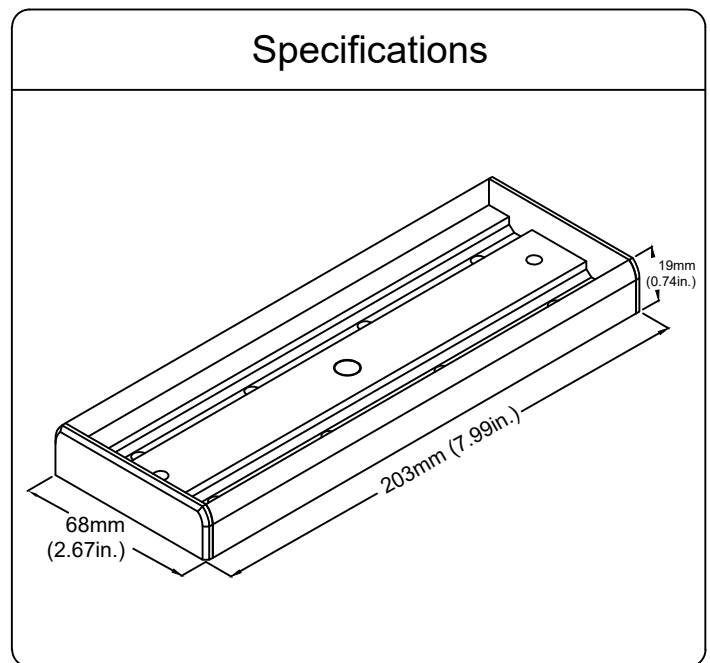
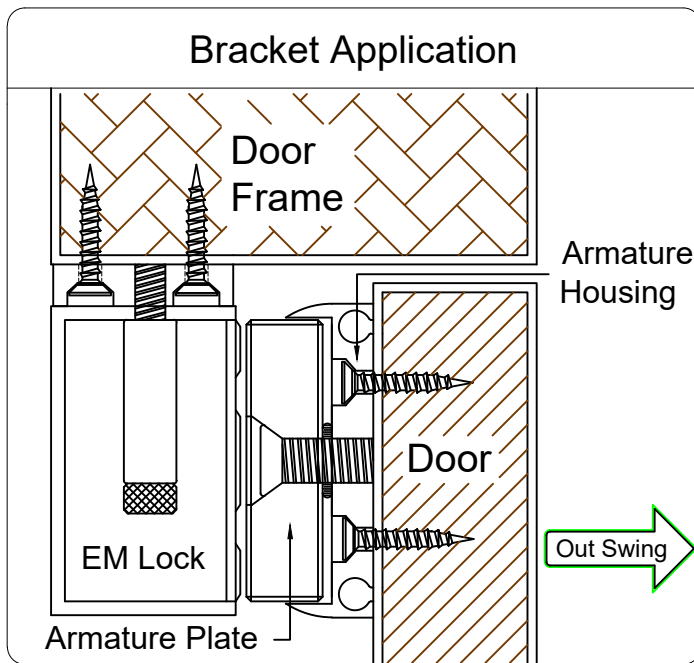




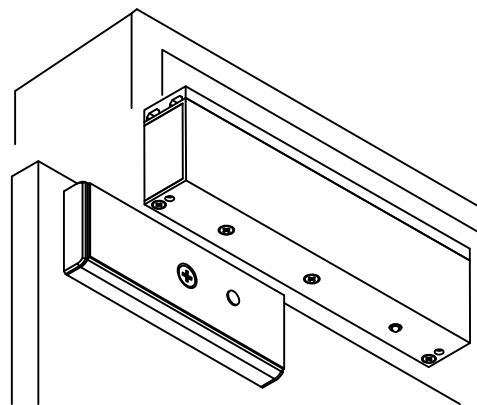
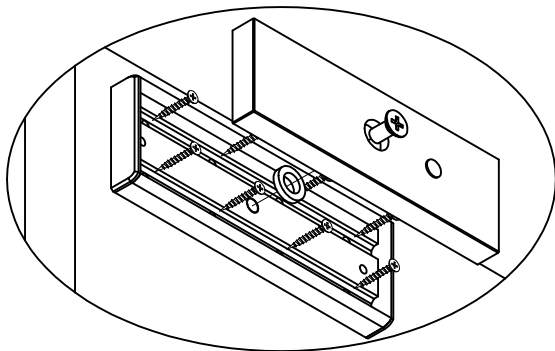
## Features

The optional aluminium bracket for EM locks.

- Designed to install the EM lock on fire doors.
- Easy, fast and accurate armature installing compared to traditional installation method.
- Applicable to various size/material of doors.
- More easy, fast and accurate fixing work instead of drilling a big hole ( $\varnothing$  13.0mm - 0.51in.) through the door for the traditional bolt and nut.
- More improved vandal-resistant purpose as the armature plate fixing is invisible from the other side of door.



## Installation Method



**Disclaimer:** VISIONIS reserve the right to go ahead with any modifications of models or features or price without forewarning. All the information and specifications stated in this document are current at the time of publication. Attention: We are not responsible for the improper installation of this kit. If you are not handy with electrical equipment you should contact a professional electrician. You will also need to check with your local Fire authority to see if you need anything else to comply with local Fire Codes. We are not responsible for any damage or fees that can occur.



[sales@visionistech.com](mailto:sales@visionistech.com)



[www.visionistech.com](http://www.visionistech.com)