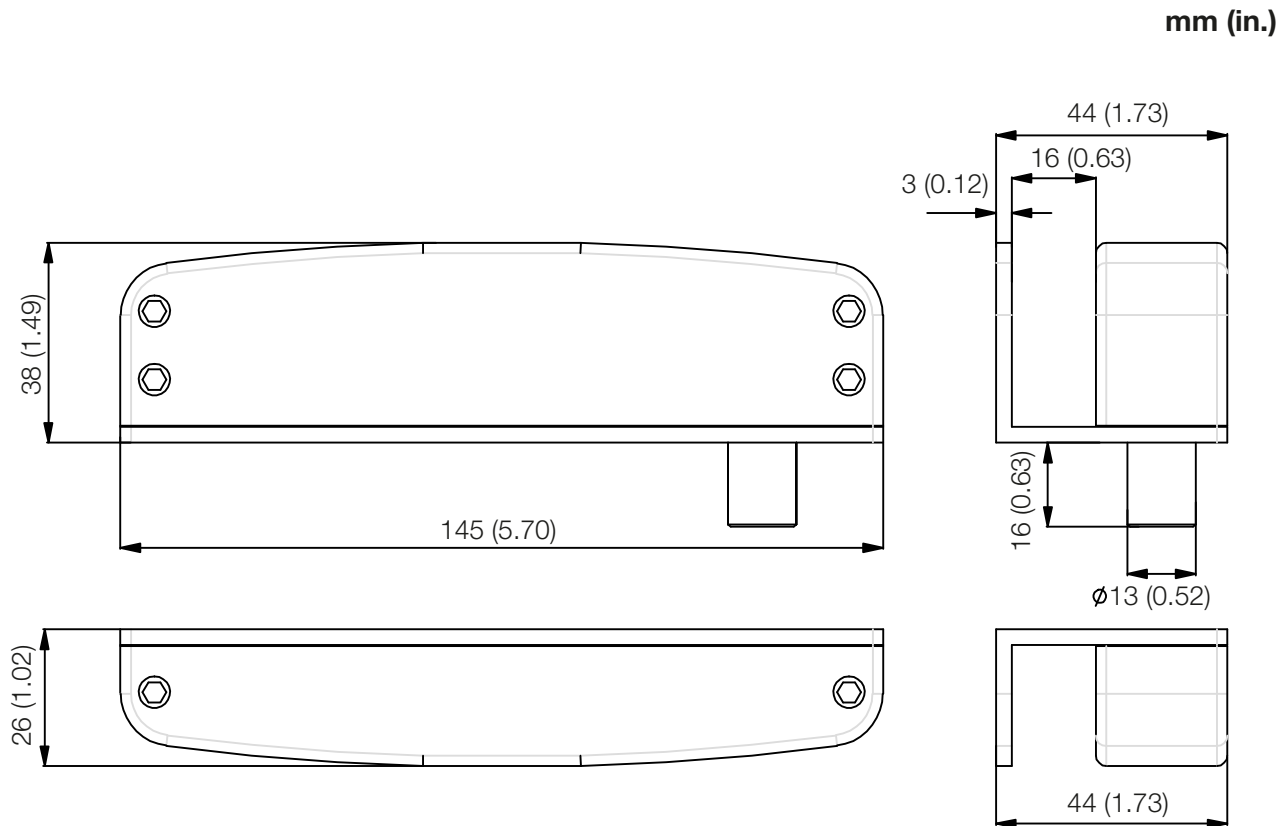


Features

- Holding Force: 800Kg (1700lbs)
- Function: Fail Safe. N/C with power it's lock
- Voltage: DC12V - DC24V
- (DC12V): Working Current 110mA / Starting Current 1000mA
- Time Delay: 0/3/6 sec; Unlock time delay: 6 sec (If do not push the door after unlocking, again automatically lock)
- Lock body size: 145Lx44Wx38D (mm) - 5.70Lx1.73Wx1.50D (in.)
- Bracket size: 145Lx44Wx26D (mm) - 5.70Lx1.73Wx1.02D (in.)
- Product + Packaging Weight: 0.93Kg (2.05 pounds)
- Operating Temperature: -20°C / +50°C (-4°F / 122°F)
- Cycles Tested: 500.000



Dimensions



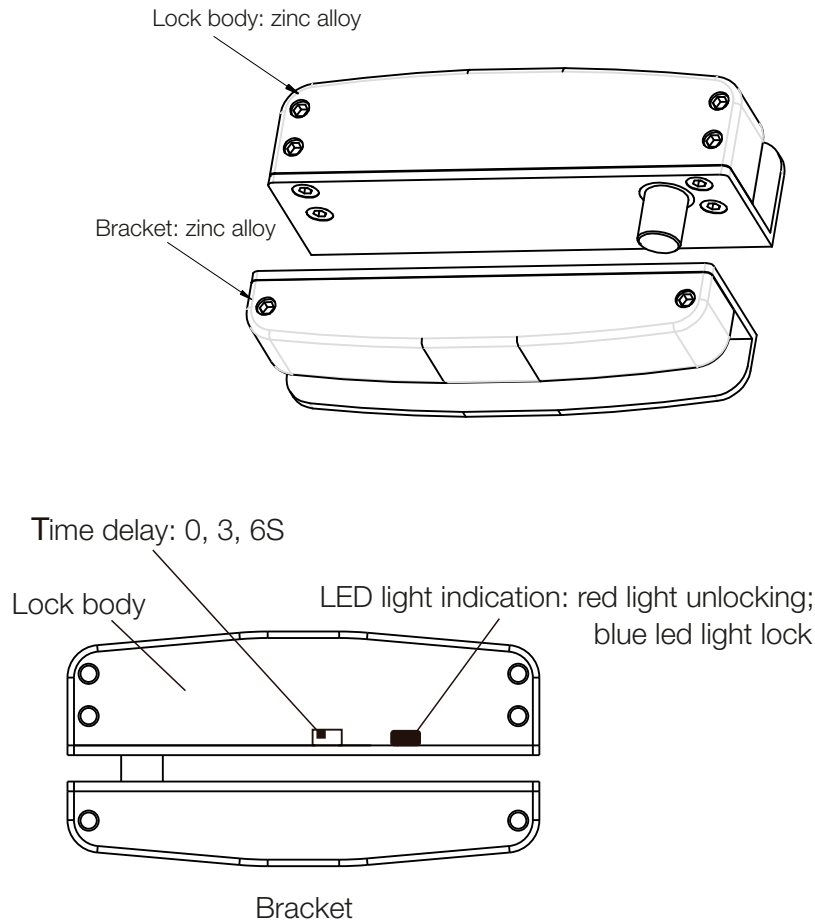
Disclaimer: VISIONIS reserve the right to go ahead with any modifications of models or features or price without forewarning. All the information and specifications stated in this document are current at the time of publication. Attention: We are not responsible for the improper installation of this kit. If you are not handy with electrical equipment you should contact a professional electrician. You will also need to check with your local Fire authority to see if you need anything else to comply with local Fire Codes. We are not responsible for any damage or fees that can occur.



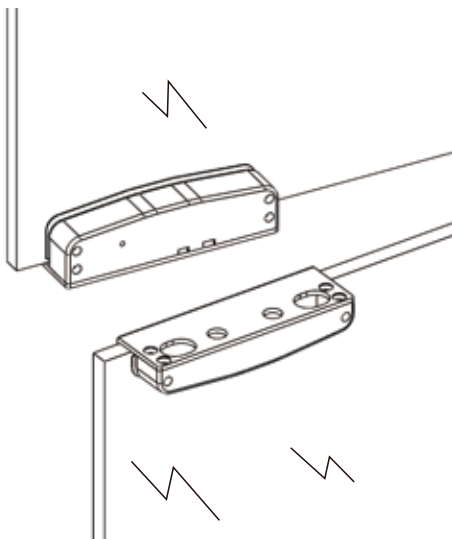
sales@visionistech.com



www.visionistech.com



Frameless Glass Door Electric Bolt Lock Installation



Glass door thickness: 8-12mm
The gap between glass door and glass door frame is 8-15mm



Disclaimer: VISIONIS reserve the right to go ahead with any modifications of models or features or price without forewarning. All the information and specifications stated in this document are current at the time of publication. Attention: We are not responsible for the improper installation of this kit. If you are not handy with electrical equipment you should contact a professional electrician. You will also need to check with your local Fire authority to see if you need anything else to comply with local Fire Codes. We are not responsible for any damage or fees that can occur.



sales@visionistech.com



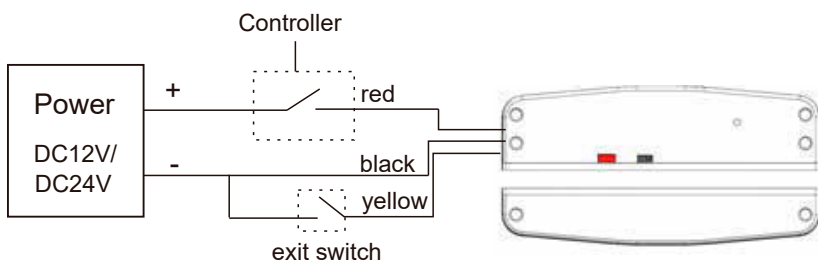
www.visionistech.com

Wire Definitions

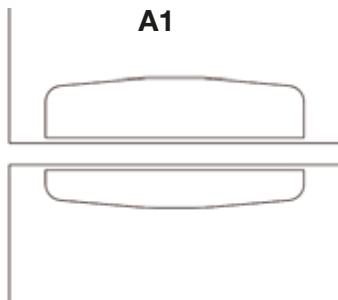
- POWER**
 - █ DC12V~DC24V +
 - █ GND
- SWITCH**
 - █ Yellow — Open (Negative effective)
- MAGNETIC SIGNAL**
 - █ Blue — NO. (Door Sensor)
 - █ White — COM. (Door Sensor)



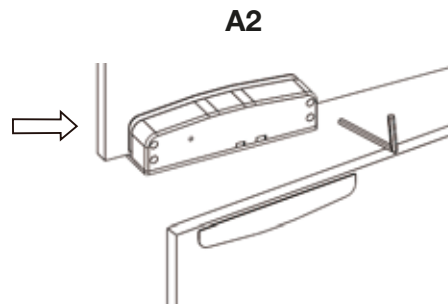
Door status sensor feedback (door closed, close circuit; door opened, open circuit)



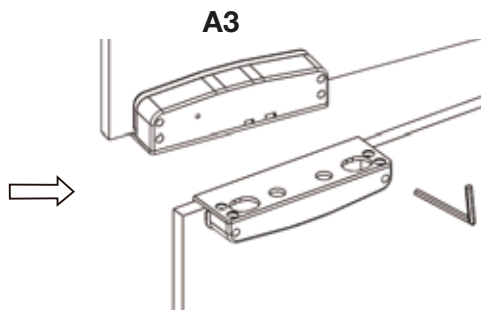
Frameless Glass Door Installation Steps



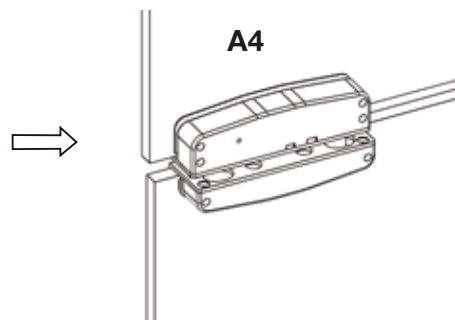
A1
Stick the mounting shim to the glass door. Align ends.



A2
Fix the lock body



A3
Fix the bracket



A4
Connect wires and test



Disclaimer: VISIONIS reserve the right to go ahead with any modifications of models or features or price without forewarning. All the information and specifications stated in this document are current at the time of publication. Attention: We are not responsible for the improper installation of this kit. If you are not handy with electrical equipment you should contact a professional electrician. You will also need to check with your local Fire authority to see if you need anything else to comply with local Fire Codes. We are not responsible for any damage or fees that can occur.



sales@visionistech.com



www.visionistech.com