



VIS-ML120 is a mini 140lbs maglock, it is designed for cabinet doors and easy to install.

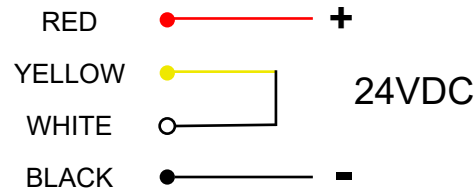
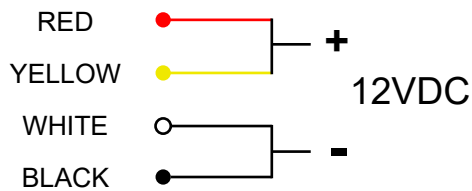
Accessories are available for an In swing door, frameless glass door and narrow doorframe door.

Features

- Up to 140 pounds (63kg).
- Low current consumption
- Reliable fail-safe mechanism
- Durable and silence operation
- Cosmetic black casing
- Compact size
- Anti residual magnetism kick off button

Model No.	VIS-ML120
Voltage Input	12VDC / 24VDC
Current Draw	12V / 200mA ; 24V / 100mA (±5%)
Holding Force	Up to 140lbs (63kg)
Anti-Rust Surface Treatment	Blue Zinc Plating
Operating Temperature	0~55°C (32~131°F)
Operating Humidity	0~95% (non condensing)
Weight (Magnet)	0.7 kg (±1%)
Dimensions Magnet	36 x 69 x 26 mm (1.41 x 2.71 x 1.02 inches)
Dimensions Armature	68 x 32 x 10 mm (2.67 x 1.25 x 0.39 inches)

Wiring Instructions



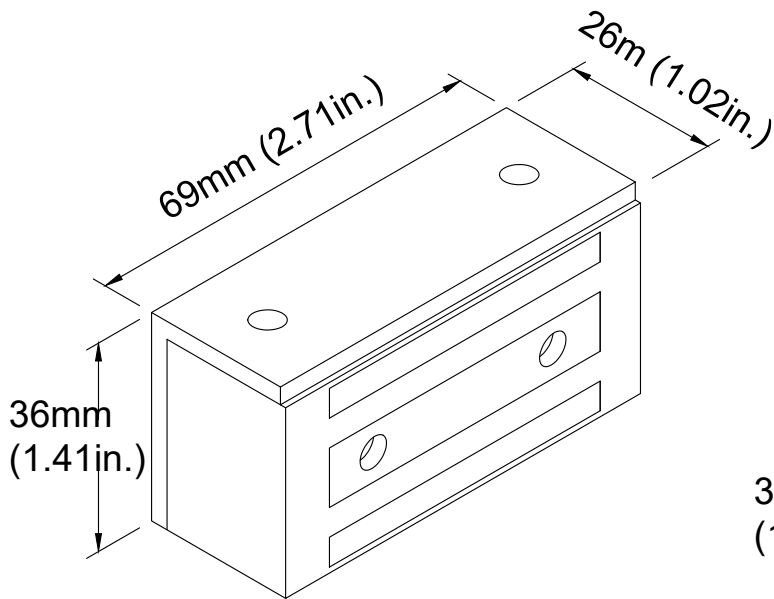
Disclaimer: VISIONIS reserve the right to go ahead with any modifications of models or features or price without forewarning. All the information and specifications stated in this document are current at the time of publication. Attention: We are not responsible for the improper installation of this kit. If you are not handy with electrical equipment you should contact a professional electrician. You will also need to check with your local Fire authority to see if you need anything else to comply with local Fire Codes. We are not responsible for any damage or fees that can occur.



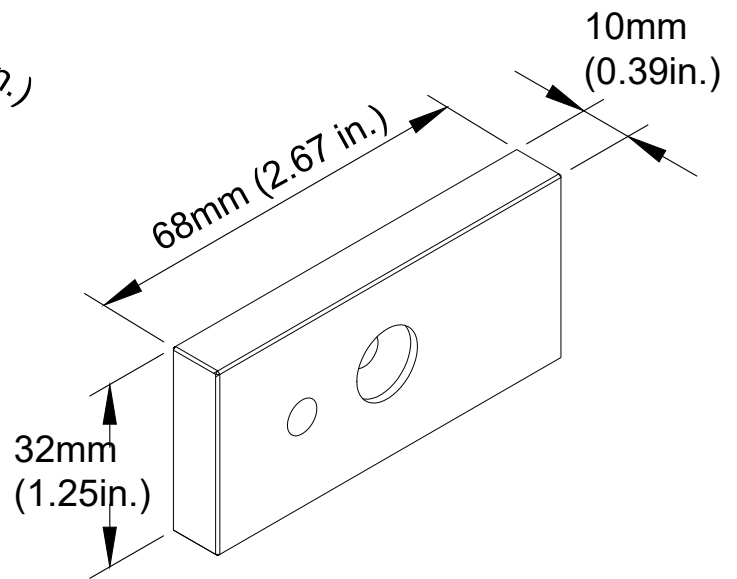
sales@visionistech.com



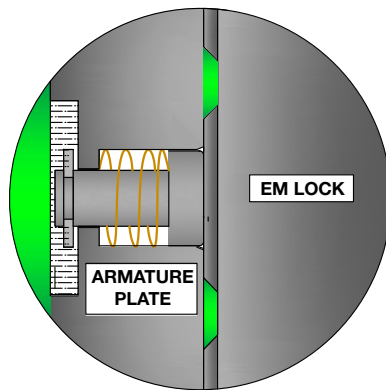
www.visionistech.com



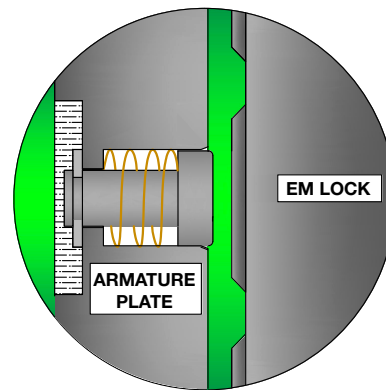
Cabinet Lock



Armature Plate



**EM LOCK
ENERGIZED**



**EM LOCK
DE-ENERGIZED**



Disclaimer: VISIONIS reserve the right to go ahead with any modifications of models or features or price without forewarning. All the information and specifications stated in this document are current at the time of publication. Attention: We are not responsible for the improper installation of this kit. If you are not handy with electrical equipment you should contact a professional electrician. You will also need to check with your local Fire authority to see if you need anything else to comply with local Fire Codes. We are not responsible for any damage or fees that can occur.



sales@visionistech.com



www.visionistech.com