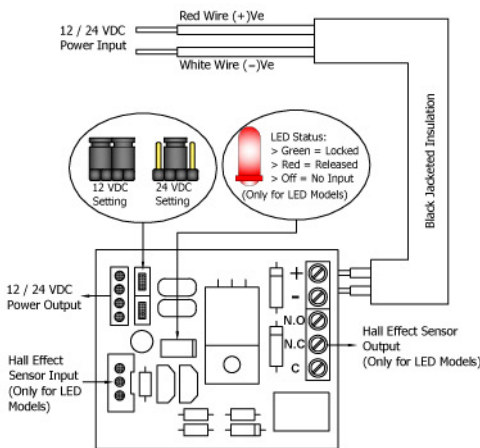
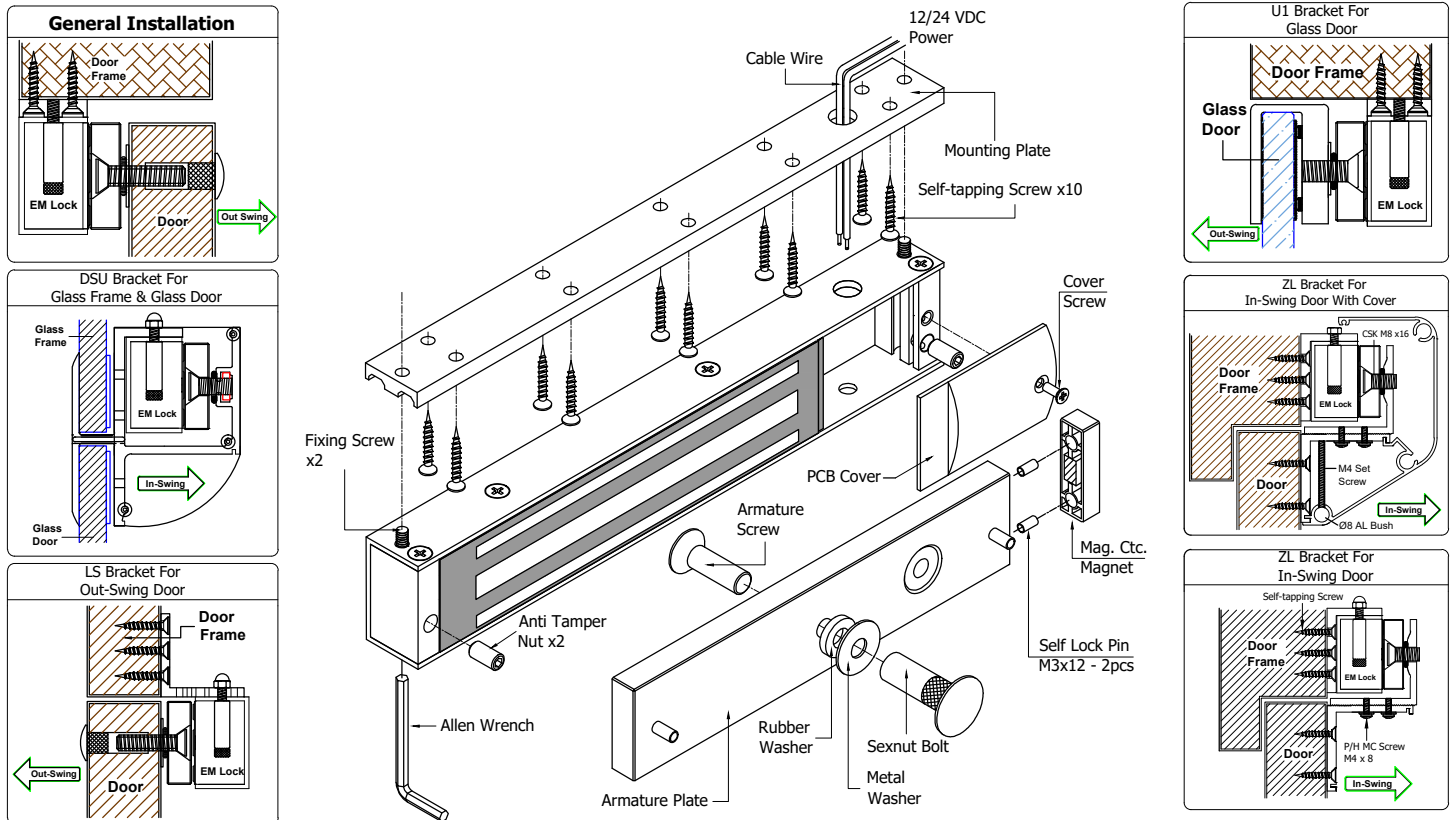


Installation User Guide (Indoor Models)

Scan the QR code to watch
the installation video



<https://youtu.be/xSwbvApnXjw>



IMPORTANT!

Set the jumper position according to the power input correctly before switch ON the power

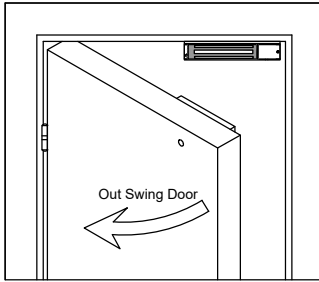
General Installation Steps & Maintenance

1. Drill the armature plate holes in the door using the sticker template provided.
2. Attach the armature plate to the door with the hardware provided as per the illustration.
3. With the door closed, mark the door frame at the edge of the armature in order to properly align the electromagnet to the armature.
4. Attach the mounting plate to the door frame using the self-tapping screws provided. Align the mounting plate with the mark from the previous instruction.
5. Insert the wires through the hole in the mounting plate and into the electromagnet unit. Attach the electromagnet unit to the mounting plate with the Allen head fixing screw.
6. Screw in the anti-tamper nuts to prevent unauthorized access and to prevent the fixing screw from loosening over time.
7. Connect the power wires according to the instruction and test the system.
8. It is recommended that to apply a light coat of silicon lubricant to the mating surface on a monthly basis to prevent rust.

Trouble Shooting

1. Sensor not functioning
 - Improper attachment of electromagnet and armature plate
 - Modification of the PCB
2. Door not locked
 - Incorrect wiring or no power from power supply
3. Reduced holding force
 - Poor contact of electromagnet and armature.
 - Be sure armature is loose enough that it can fully contact electromagnet along the entire length.
 - Mating surface is dusty or damaged.
 - Improper input voltage or wire size.





1

Installation Template

Fold the EML-600 Template along the dotted line upto 90°.

2

Door Frame
Door
Template

Out Swing

Close the door, position the EM lock mounting location as close to the door upper corner with gap 10mm.

3

Door Frame
Door

Place the template against the door & frame and drill holes according to template indications.

4

Door Frame
Door

Drill 2 holes on Frame and 3 holes on door as indicated on the template.

5

Armature Screw
Rubber Washer
Screw Nut Bolt
Metal Washer
Armature Plate

Wooden Door

Install the Armature Plate to the door.
Note: Actual installation may varies according to door figures.

6

Door
Rubber Washer

This allow the armature plate to pivot around the armature screw to compensate the door misalignment.

7

Mount the FB600 on the door frame by screw in the self tapping screw on the holes as indicated on template.

8

Once position is correct, screw in others screws to permanently mount the plate; and drill the wire cable access hole.

9

Use the Allen key wrench to unscrew the anti tamper nut and screw in fixing screws through bottom of E.M.lock into the FB-600

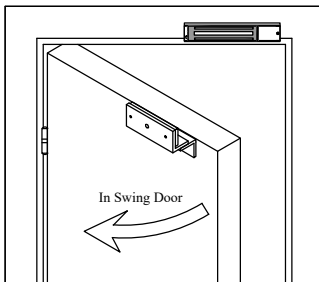
10

Door Frame
Door
EM Lock

← Holding Force

Connect to power supply and test the unit.

ZL Bracket for Swing-In Door Installation Guide



1

Door Frame
EM Lock
Door
In-Swing

The door frame min. height value "L" is needed to accommodate the bracket Model:

- 300ZL(L) = 39mm
- 600ZL(L) = 46mm
- 1200ZL(L) = 73mm

2

L-Bracket
Frame

Position the L-Bracket mounting location as close to the door upper corner with gap min.10mm; make sure the door is closable.

3

Cable Wire
12/24 VDC Power
Mounting Bracket

Tighten the EM Lock on the L-Bracket by using Allen Wrench.

4

P/H MC Screw M4 x 8

Assemble the Z-bracket and make sure the Z bracket can be adjust freely, before permanent tighten.

5

Flat Washer
Rubber Washer
Armature Plate

Install the armature plate on the Z-Bracket; using the CSK screw given in screw pack.

6

Close the door, and position the Z-Bracket by bringing the armature plate close to the EM Lock surface.



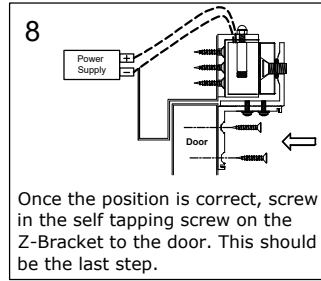
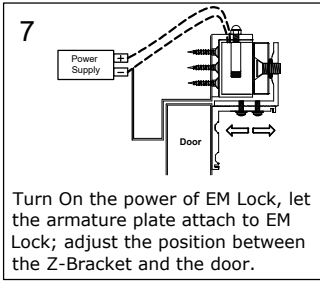
Disclaimer: VISIONIS reserve the right to go ahead with any modifications of models or features or price without forewarning. All the information and specifications stated in this document are current at the time of publication. Attention: We are not responsible for the improper installation of this kit. If you are not handy with electrical equipment you should contact a professional electrician. You will also need to check with your local Fire authority to see if you need anything else to comply with local Fire Codes. We are not responsible for any damage or fees that can occur.



sales@visionistech.com



www.visionistech.com



Distance in feet from power supply to the furthest lock unit

	Amps	25f	50f	75f	100f	150f	200f	250f	300f	400f	500f	1000f
Minimum Wire Gauge for 12VDC	0.25	18	18	18	18	18	16	16	14	14	12	
	0.50	18	18	18	16	16	14	12				
	0.75	18	18	16	14	12	12					
	1.00	18	16	14	14	12						
	1.50	18	14	12	12							
	2.00	16	14	12								
	Amps	25f	50f	75f	100f	150f	200f	250f	300f	400f	500f	1000f
Minimum Wire Gauge for 24VDC	0.25	18	18	18	18	18	18	18	18	16	16	16
	0.50	18	18	18	18	18	16	16	14	14	12	
	0.75	18	18	18	18	16	14	14	12	12		
	1.00	18	18	16	16	14	14	12	12			
	1.50	18	18	16	14	14	12					
	2.00	16	16	14	14	12						



Disclaimer: VISIONIS reserve the right to go ahead with any modifications of models or features or price without forewarning. All the information and specifications stated in this document are current at the time of publication. Attention: We are not responsible for the improper installation of this kit. If you are not handy with electrical equipment you should contact a professional electrician. You will also need to check with your local Fire authority to see if you need anything else to comply with local Fire Codes. We are not responsible for any damage or fees that can occur.



sales@visionistech.com



www.visionistech.com