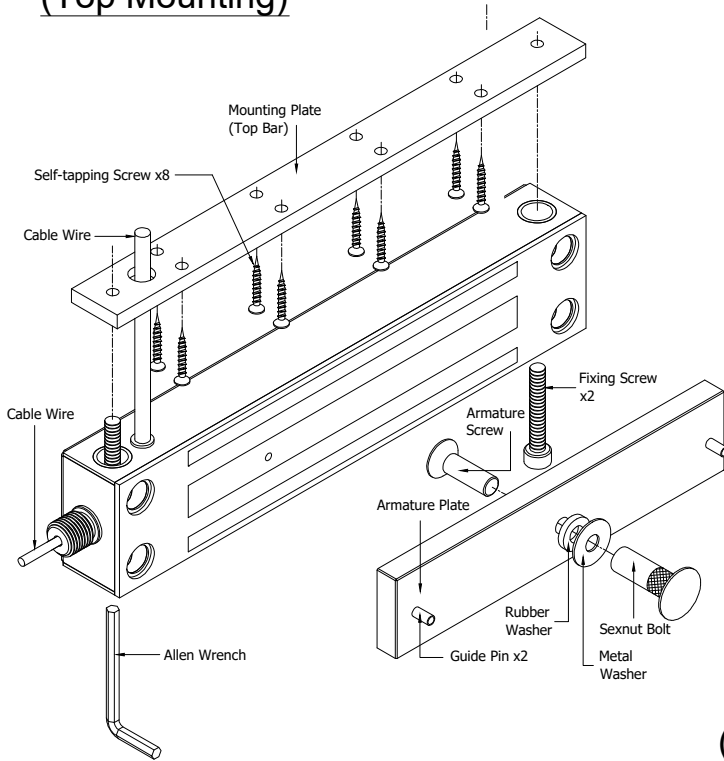


## Installation User Guide (Outdoor Models)

### (Top Mounting)



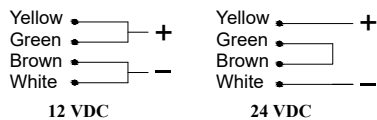
### General Installation Steps & Maintenance

1. Drill the armature plate holes in the door using the sticker template provided.
2. Attach the armature plate to the door with the hardware provided as per the illustration.
3. With the door closed, mark the door frame at the edge of the armature in order to properly align the electromagnet to the armature.
4. Attach the mounting plate to the door frame using the self-tapping screws provided. Align the mounting plate with the mark from the previous instruction.
5. Insert the wires through the hole in the mounting plate and attach the electromagnet unit to the mounting plate with the allen head fixing screw.
6. Connect the power wires according to the instruction and test the system.
7. It is recommended that to apply a light coat of silicon lubricant to the mating surface on a monthly basis to prevent rust.

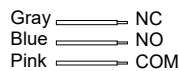
### Wiring Instructions

**IMPORTANT!**

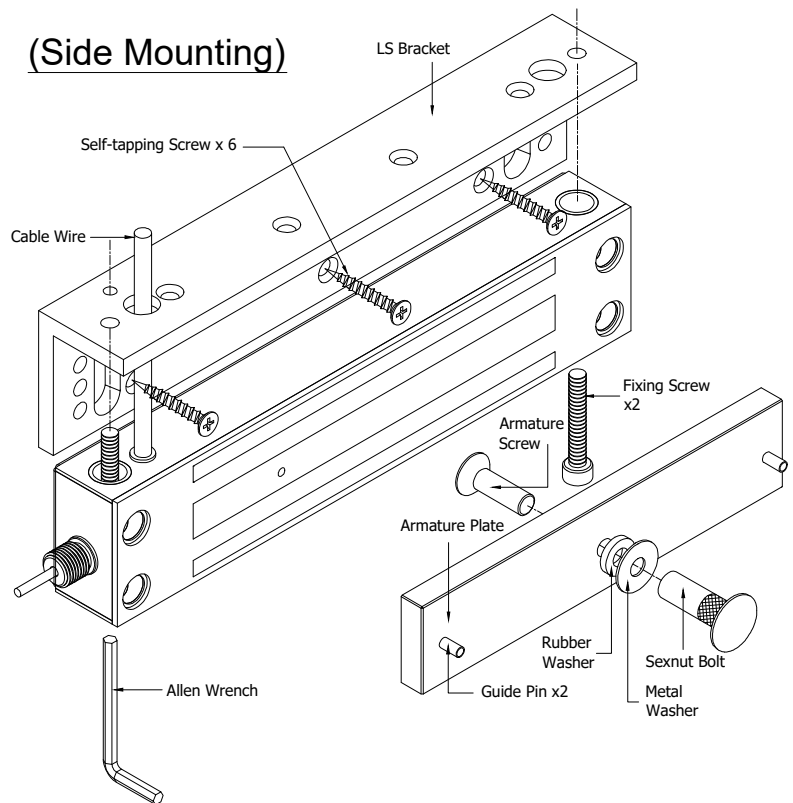
Before the power supply is switched on, set the wiring correctly.



#### Reed Sensor Contact



### (Side Mounting)



**Disclaimer:** VISIONIS reserve the right to go ahead with any modifications of models or features or price without forewarning. All the information and specifications stated in this document are current at the time of publication. Attention: We are not responsible for the improper installation of this kit. If you are not handy with electrical equipment you should contact a professional electrician. You will also need to check with your local Fire authority to see if you need anything else to comply with local Fire Codes. We are not responsible for any damage or fees that can occur.



sales@visionistech.com



www.visionistech.com

## Regular Installation Guide

**1** Installation Template  
Fold the Template along the dotted line upto 90°.  
Note: Installation Template Only for E.M. Lock Model 300, 600, 1200

**2** Door Frame  
Door  
Template  
Close the door, position the EM lock mounting location as close to the door upper corner with gap 10mm.

**3** Door Frame  
Door  
Place the template against the door & frame and drill holes according to template indications.

**4** Door Frame  
Door  
Drill 2 holes on Frame and 3 holes on door as indicated on the template.

**5** Armature Screw  
Rubber Washer  
Screw Nut Bolt  
Metal Washer  
Armature Plate  
Install the Armature Plate to the door.  
Note: Actual installation may varies according to door figures.

**6** Door  
Rubber Washer  
This allow the armature plate to pivot around the armature screw to compensate the door misalignment.

**7** Mount this plate on the door frame by screw in the self tapping screw on the holes as indicated on template.

**8** Once position is correct, screw in others screws to permanently mount the plate; and drill the wire cable access hole.

**9** Use the Allen key wrench to unscrew the anti tamper nut and screw in fixing screws through bottom of E.M.lock into the plate

**10** Door Frame  
Door  
EM Lock  
Holding Force  
Connect to power supply and test the unit.

## ZL Bracket for In-Swing Door Installation Guide

**1** Door Frame  
Door  
EM Lock  
In-Swing  
The door frame min. height value "L" is needed to accommodate the bracket Model:  
- VIS-ZL300(L) = 39mm  
- VIS-ZL600(L) = 46mm  
- VS-ZL-SS800(L) = 51mm  
- VIS-ZL1200(L) = 73mm  
- VS-ZL-SS1500(L) = 76mm

**2** L-Bracket  
Frame  
Position the L-Bracket mounting location as close to the door upper corner with gap min.10mm; make sure the door is closable.



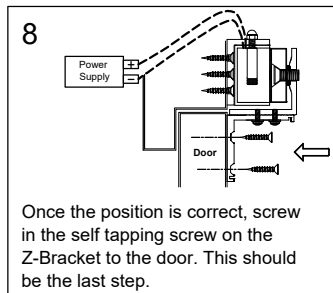
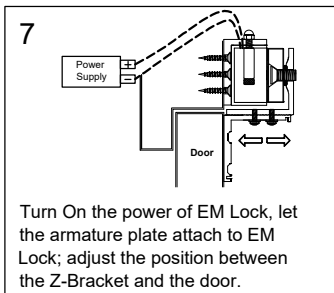
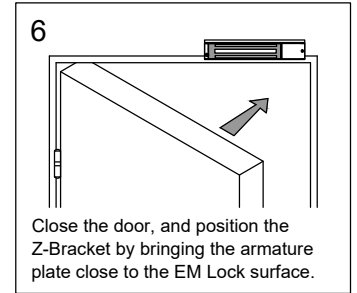
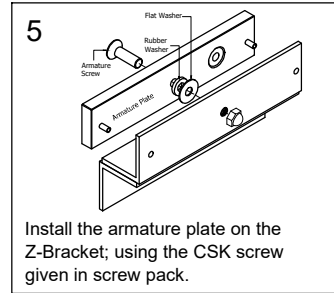
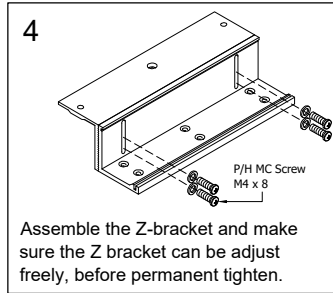
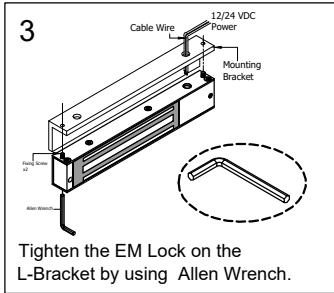
**Disclaimer:** VISIONIS reserve the right to go ahead with any modifications of models or features or price without forewarning. All the information and specifications stated in this document are current at the time of publication. Attention: We are not responsible for the improper installation of this kit. If you are not handy with electrical equipment you should contact a professional electrician. You will also need to check with your local Fire authority to see if you need anything else to comply with local Fire Codes. We are not responsible for any damage or fees that can occur.



sales@visionistech.com



www.visionistech.com



	Amps	25f	50f	75f	100f	150f	200f	250f	300f	400f	500f	1000f
Minimum Wire Gauge (AWG) for 12VDC	0.25	18	18	18	18	18	18	16	16	14	14	12
	0.50	18	18	18	16	16	14	12				
	0.75	18	18	16	14	12	12					
	1.00	18	16	14	14	12						
	1.50	18	14	12	12							
	2.00	16	14	12								

	Amps	25f	50f	75f	100f	150f	200f	250f	300f	400f	500f	1000f
Minimum Wire Gauge (AWG) for 24VDC	0.25	18	18	18	18	18	18	18	18	16	16	16
	0.50	18	18	18	18	18	16	16	14	14	12	
	0.75	18	18	18	18	16	14	14	12	12		
	1.00	18	18	16	16	14	14	12	12			
	1.50	18	18	16	14	14	12					
	2.00	16	16	14	14	12						



**Disclaimer:** VISIONIS reserve the right to go ahead with any modifications of models or features or price without forewarning. All the information and specifications stated in this document are current at the time of publication. Attention: We are not responsible for the improper installation of this kit. If you are not handy with electrical equipment you should contact a professional electrician. You will also need to check with your local Fire authority to see if you need anything else to comply with local Fire Codes. We are not responsible for any damage or fees that can occur.



[sales@visionistech.com](mailto:sales@visionistech.com)



[www.visionistech.com](http://www.visionistech.com)