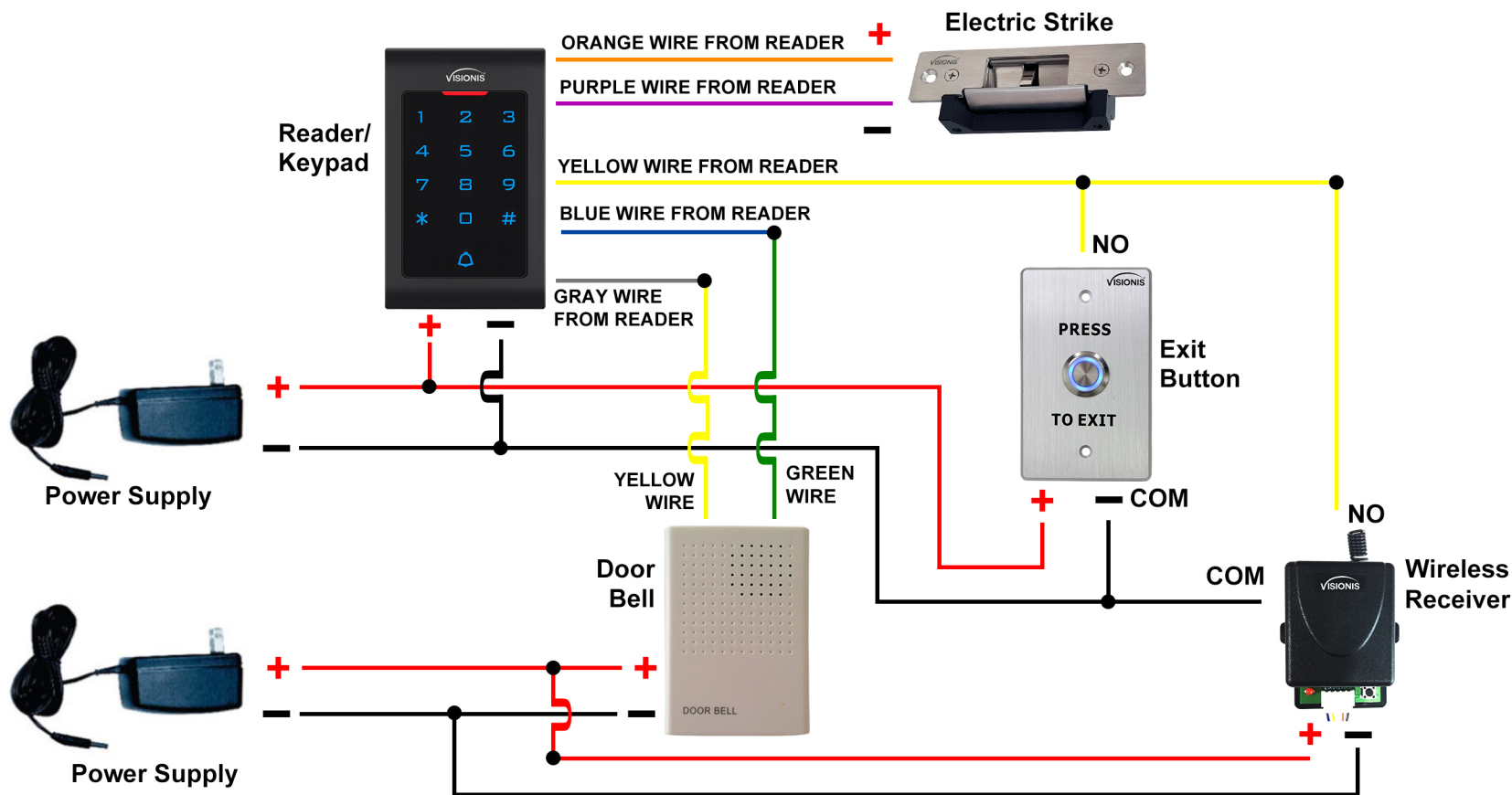


INSTALLATION DIAGRAM FOR INDOOR READER/KEYPAD, ELECTRIC STRIKE, EXIT BUTTON AND RECEIVER

This Diagram is for kits: FPC-5573



ATTENTION! QUICK TIPS, MUST READ BEFORE INSTALLING:

- . Make sure to cut off the connectors on both power supplies, then strip the wire leads before installing.
- . In order to properly install this kit it is recommended that you use 18/2 or 20/2 gauge wire.
- . Before installing this kit, check with your local fire Authority for the compliance of fire codes.
- . In order to locate where you can identify the +, - NC, NO or Open contacts on the receiver or exit button please refer to the manual of the exit button and receiver.
- . We are not responsible for the improper Installation of this kit. This is an example of how it should be installed but all applications are different.
- . If you are not handy with electrical components, please consult with a certified electrician or Locksmith.
- . Make sure that when you are installing this kit, please have all components turned off. We are not Responsible for any type of short circuits.