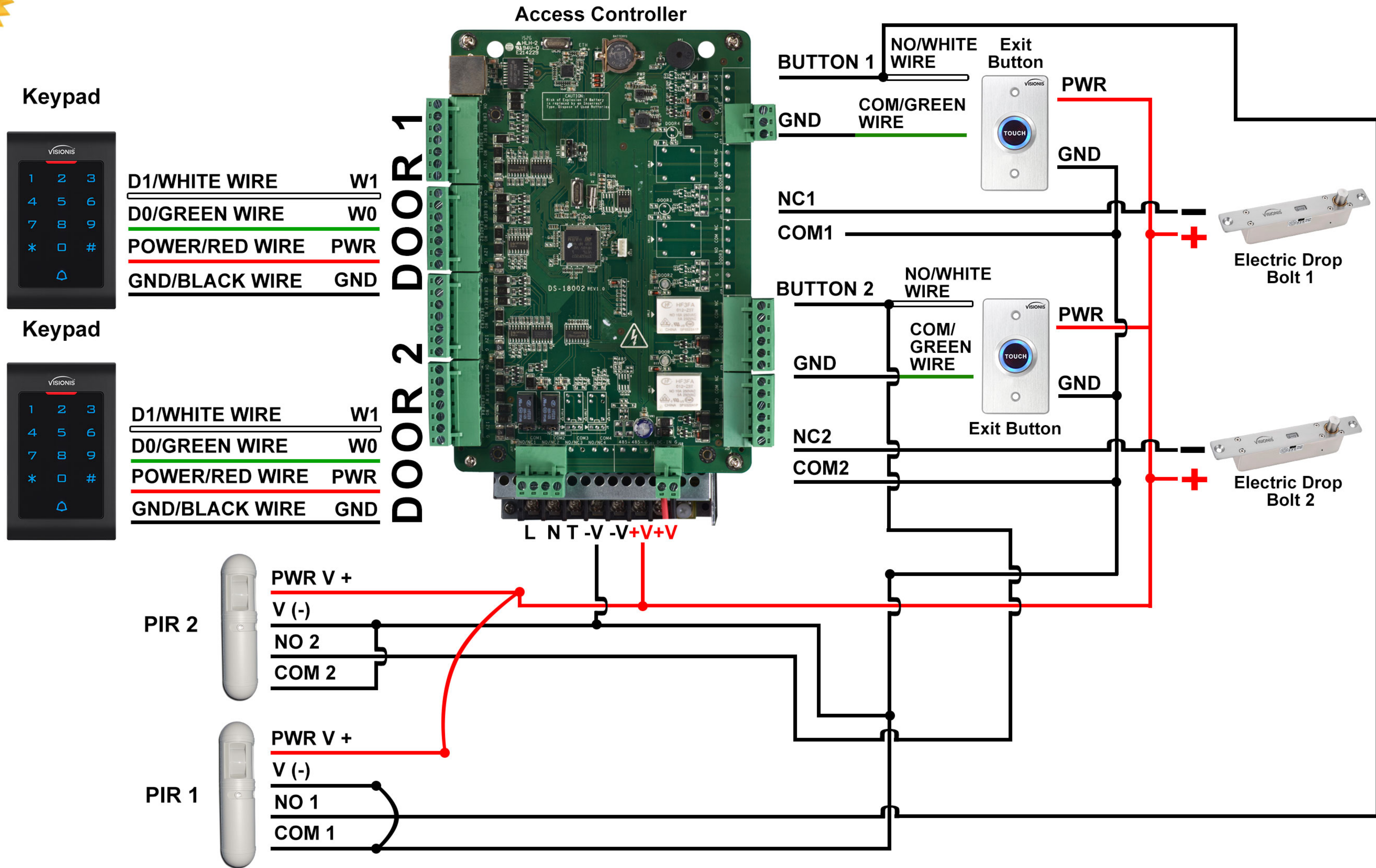


This Diagram is for kits: FPC-8041



ATTENTION! QUICK TIPS, MUST READ BEFORE INSTALLING:

- . Make sure to cut off the connectors on the Power supply or Power Supplies, then strip the wire leads before installing.
- . In order to properly install this kit it is recommended that you use 18/2 or 20/2 gauge wire.
- . Before installing this kit, check with your local fire Authority for the compliance of fire codes.
- . In order to locate where you can Identify the +, - NC, NO or Open contacts on the exit button please refer to the manual of the exit button.
- . We are not responsible for the improper Installation of this kit. This is an example of how it should be installed but all applications are different.
- . If you are not handy with electrical components, please consult with a certified electrician or Locksmith.
- . Make sure that when you are installing this kit, please have all components turned off. We are not responsible for any type of short circuits.
- . You will only use the Wires that are displayed on the Diagram, for this application please disregard all other wires

ATTENTION:

4 ways to view our installation videos:

1) Scan this QR code.



2) Visit:
<https://youtu.be/8uL8TJIRSKU>

3) Type in the words VSAXESS IP to the youtube search box.

4) Go to www.fpc-security.com and type in the model number of your kit in the search box after you will click on the picture then you will see the video under the "VIDEOS" tab.