



## INSTALLATION DIAGRAM FOR ACCESS CONTROLLER, KEYPAD CARD READER, EXIT BUTTON AND ELECTRIC DROP BOLT KITS

This Diagram is for kits: FPC-8143

Keypad Card Reader



D1/WHITE WIRE	W1
D0/GREEN WIRE	W0
POWER/RED WIRE	PWR
GND/BLACK WIRE	GND

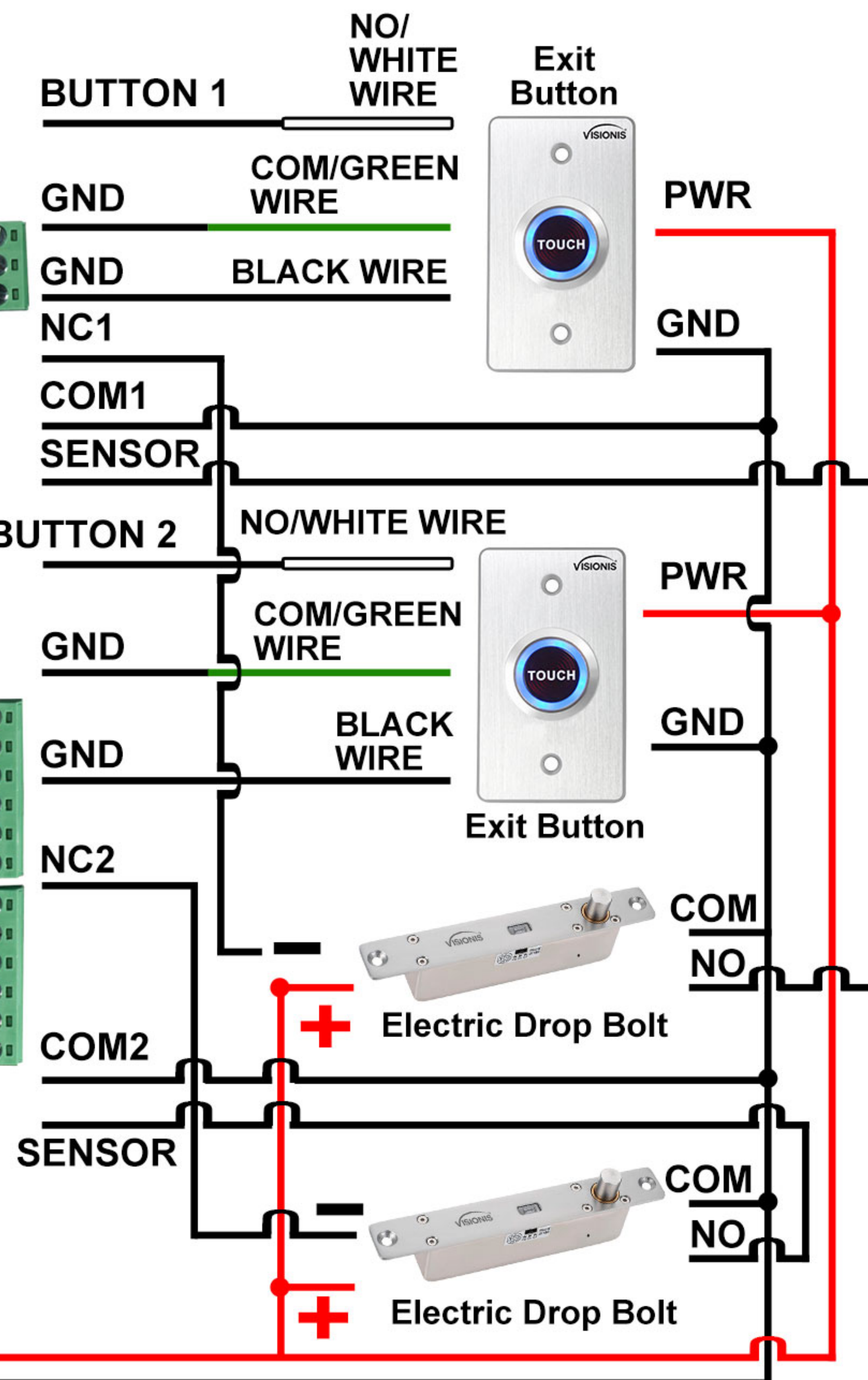
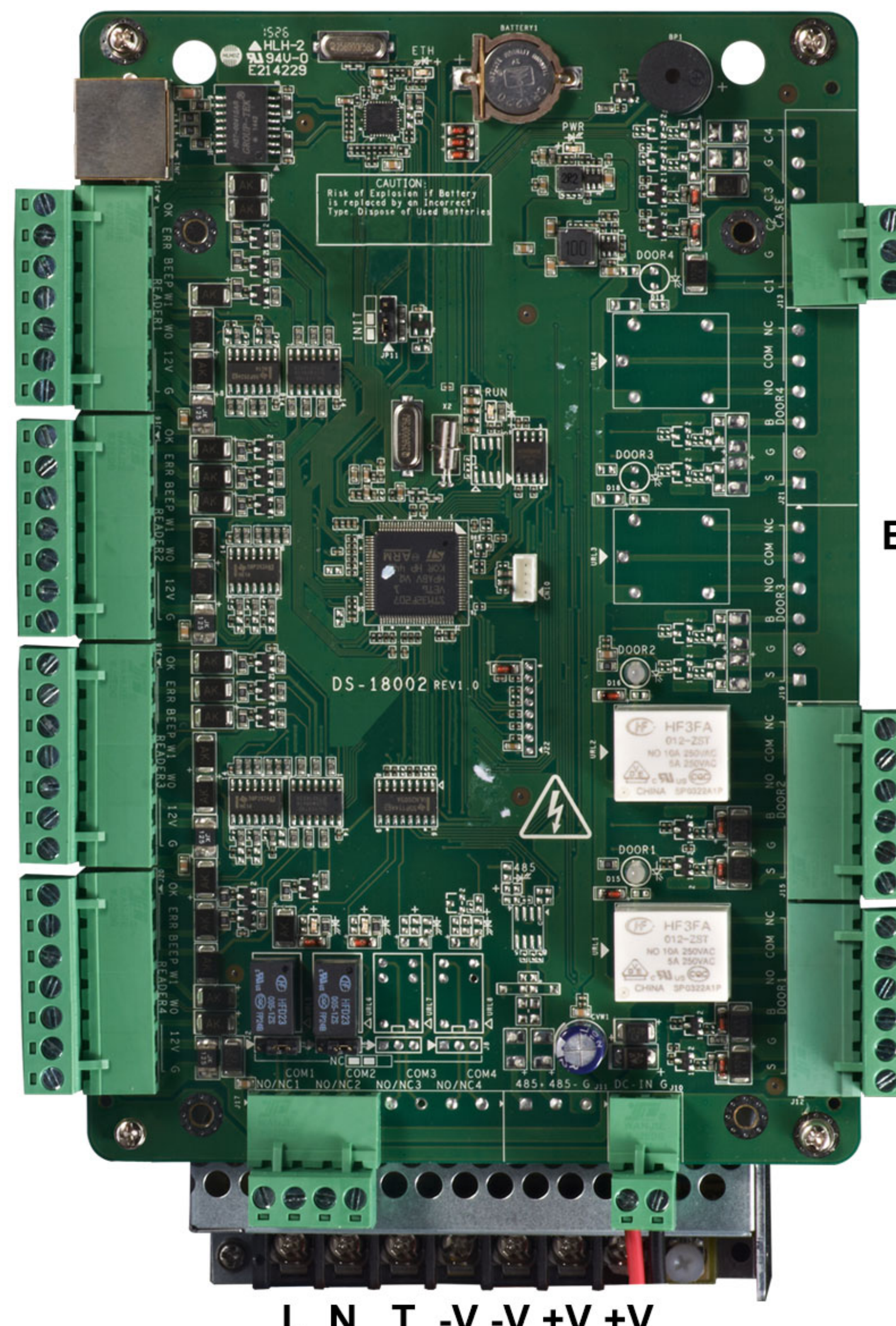
Keypad Card Reader



D1/WHITE WIRE	W1
D0/GREEN WIRE	W0
POWER/RED WIRE	PWR
GND/BLACK WIRE	GND

DOOR 2 DOOR 1

Access Controller



### ATTENTION! QUICK TIPS, MUST READ BEFORE INSTALLING:

**Note:** these readers must be set to Wiegand mode. To do this please enter programming mode (\*123456# default) then enter 7 3 #, press \* twice to exit programming mode. Your reader is now able to transfer and collect info via your controller panel.

- Make sure to cut off the connectors on the Power supply or Power Supplies, then strip the wire leads before installing.
- In order to properly install this kit it is recommended that you use 18/2 or 20/2 gauge wire.
- Before installing this kit, check with your local fire Authority for the compliance of fire codes.
- In order to locate where you can identify the +, - NC, NO or Open contacts on the exit button please refer to the manual of the exit button.
- We are not responsible for the improper Installation of this kit. This is an example of how it should be installed but all applications are different.
- If you are not handy with electrical components, please consult with a certified electrician or Locksmith.
- Make sure that when you are installing this kit, please have all components turned off. We are not responsible for any type of short circuits.
- You will only use the Wires that are displayed on the Diagram, for this application please disregard all other wires

### ATTENTION:

4 ways to view our installation videos:

1) Scan this QR code.



2) Visit:

<https://youtu.be/8uL8TJIRSKU>

3) Type in the words VSAXESS IP to the youtube search box.

4) Go to [www.fpc-security.com](http://www.fpc-security.com) and type in the model number of your kit in the search box after you will click on the picture then you will see the video in the "VIDEOS" tab.